



kolpa·san[®]
by KOLPA

SKY 1600 3F

SLIM 1600 2F

SOLANO 1400 2F

ZEPHYR 1680 3F

ZONDA 1500 3F

ZONDA 1500 4F

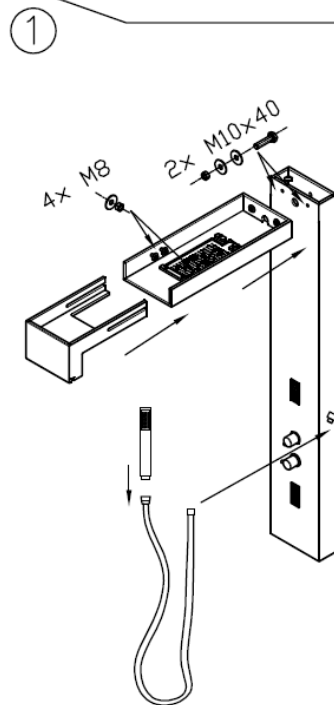
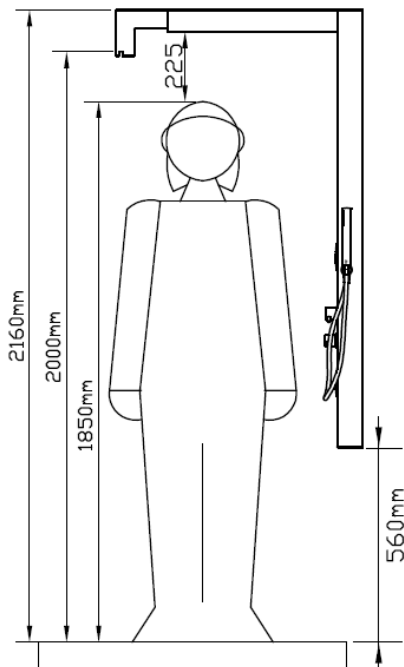
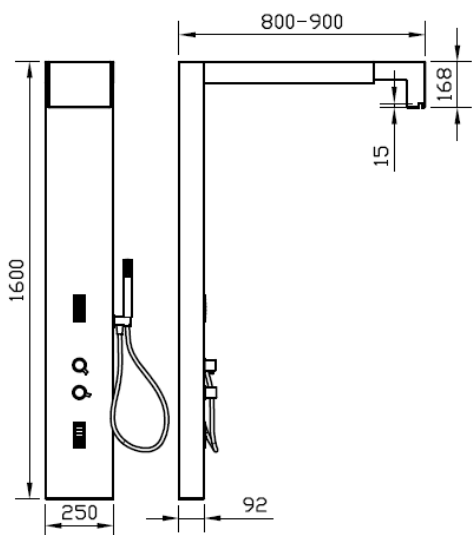
ZONDA FLAT 1600 3F

United Kingdom
and Ireland

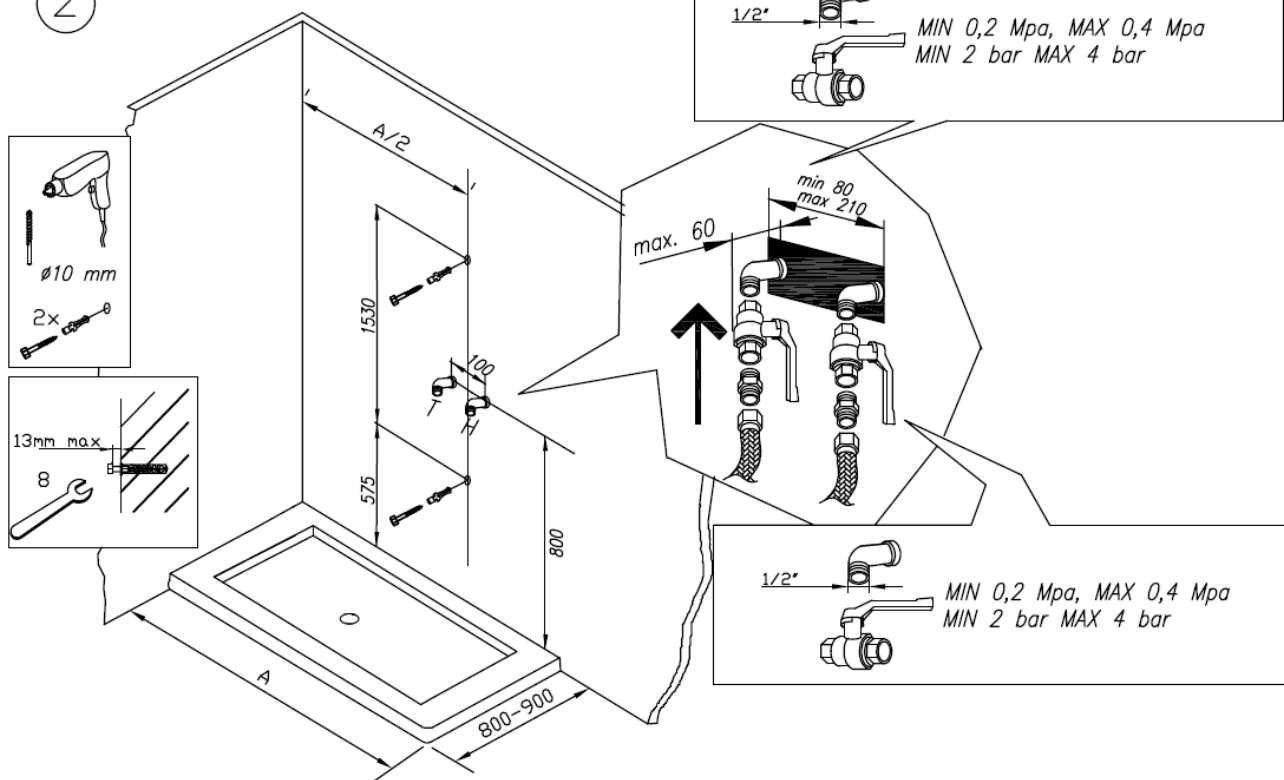
kolpa·san[®]
by KOLPA

SKY 1600 3F

Nr.MS 02



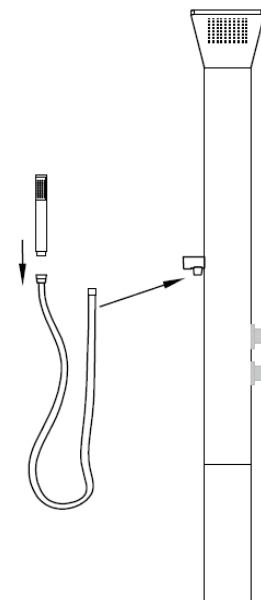
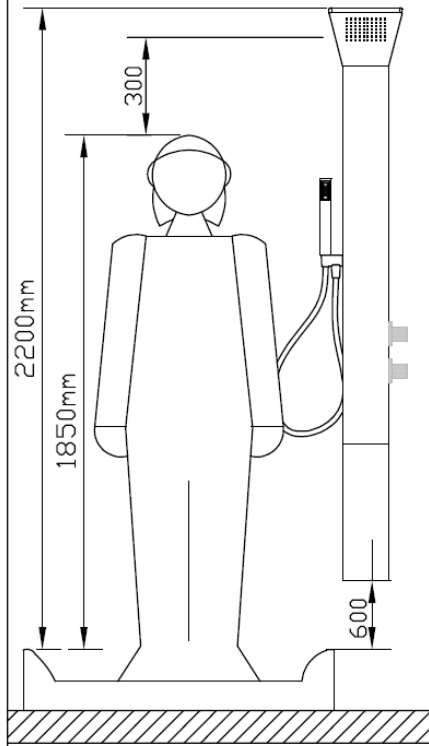
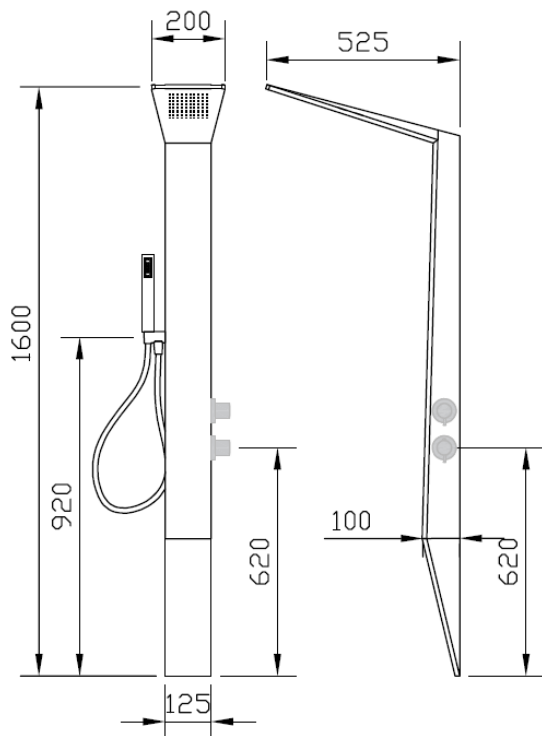
②



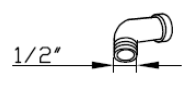
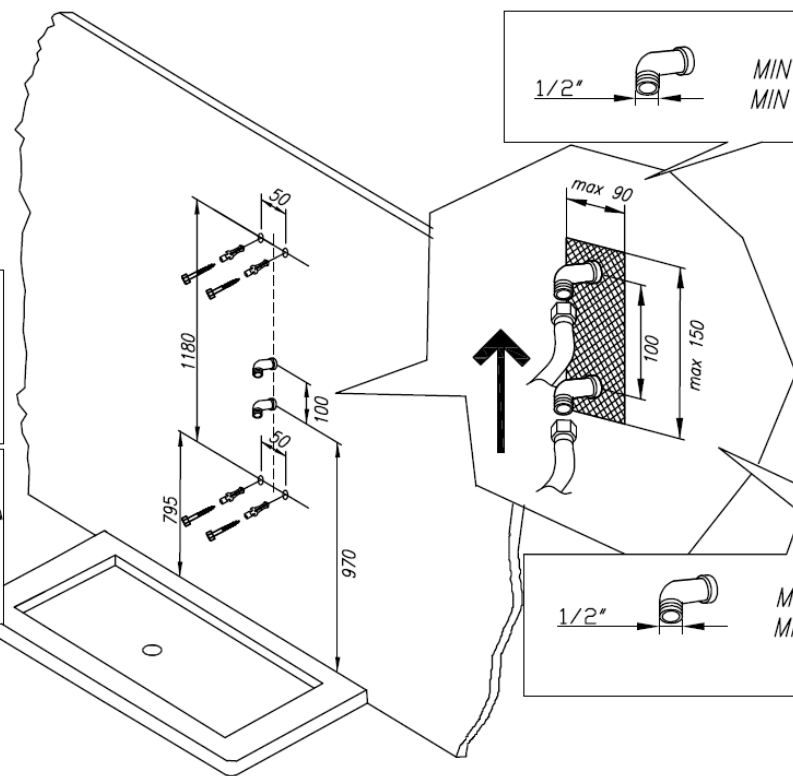
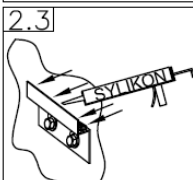
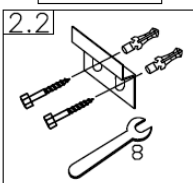
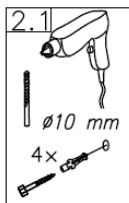
kolpa·san[®]
by KOLPA

SLIM 1600 2F

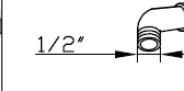
①



②



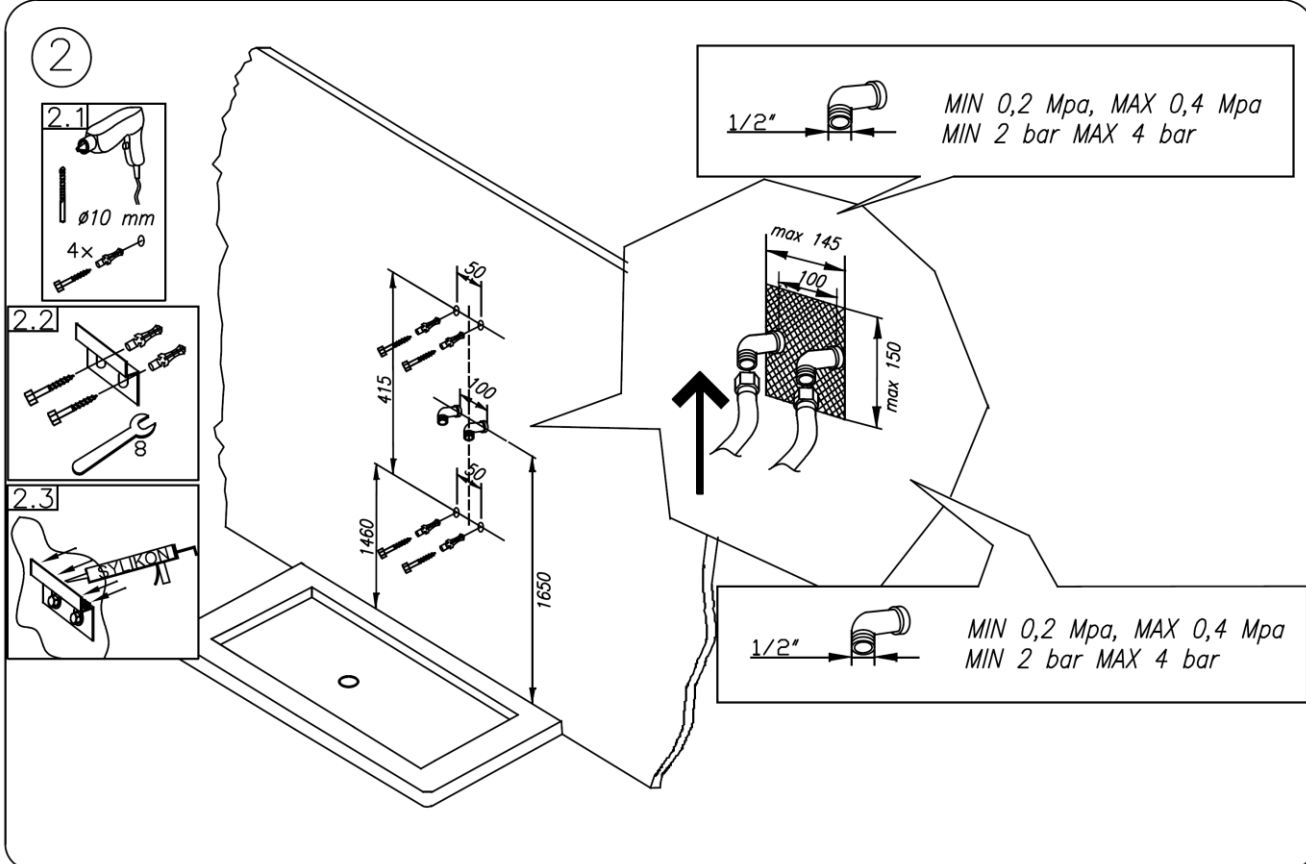
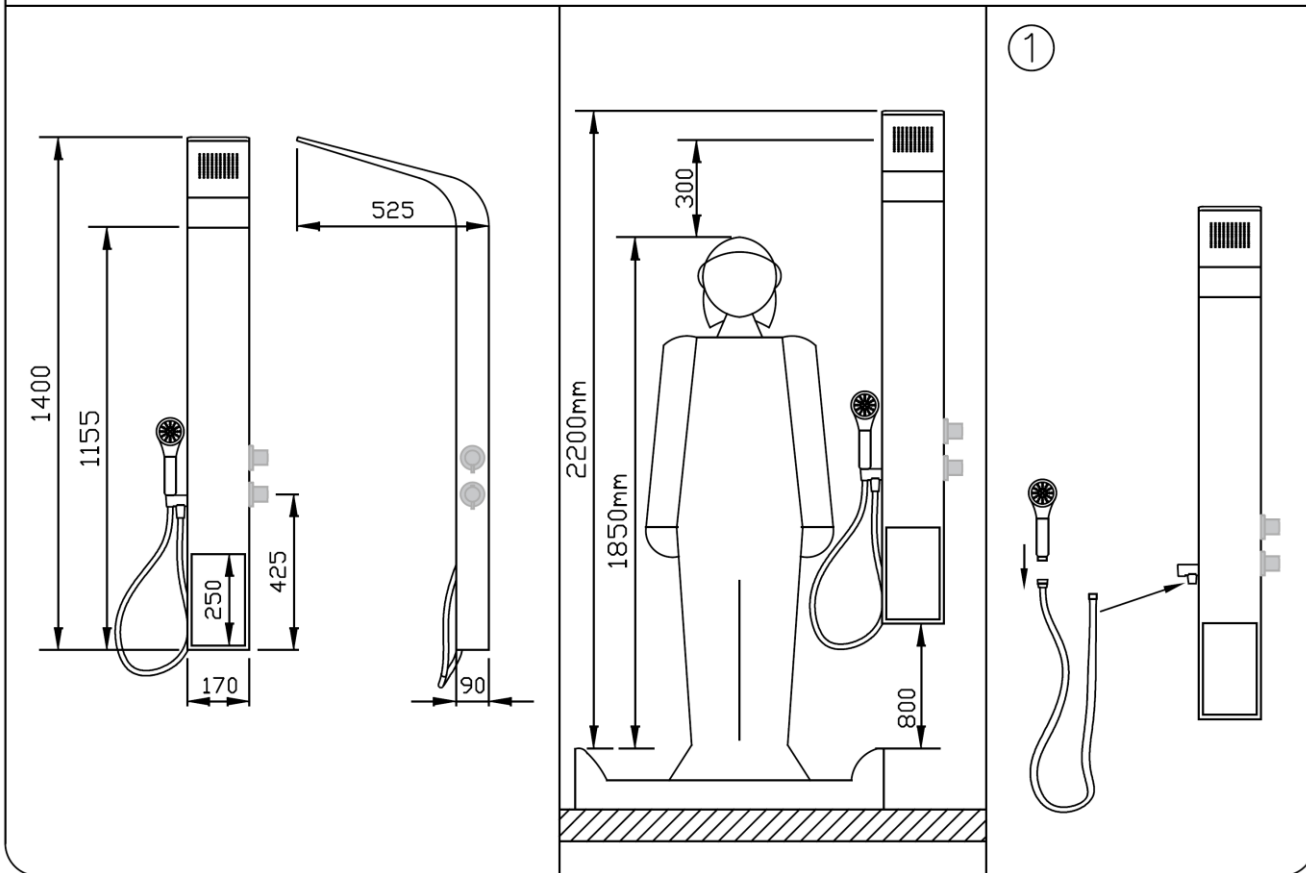
MIN 0,2 Mpa, MAX 0,4 Mpa
MIN 2 bar MAX 4 bar



MIN 0,2 Mpa, MAX 0,4 Mpa
MIN 2 bar MAX 4 bar

kolpa·sanⁱ

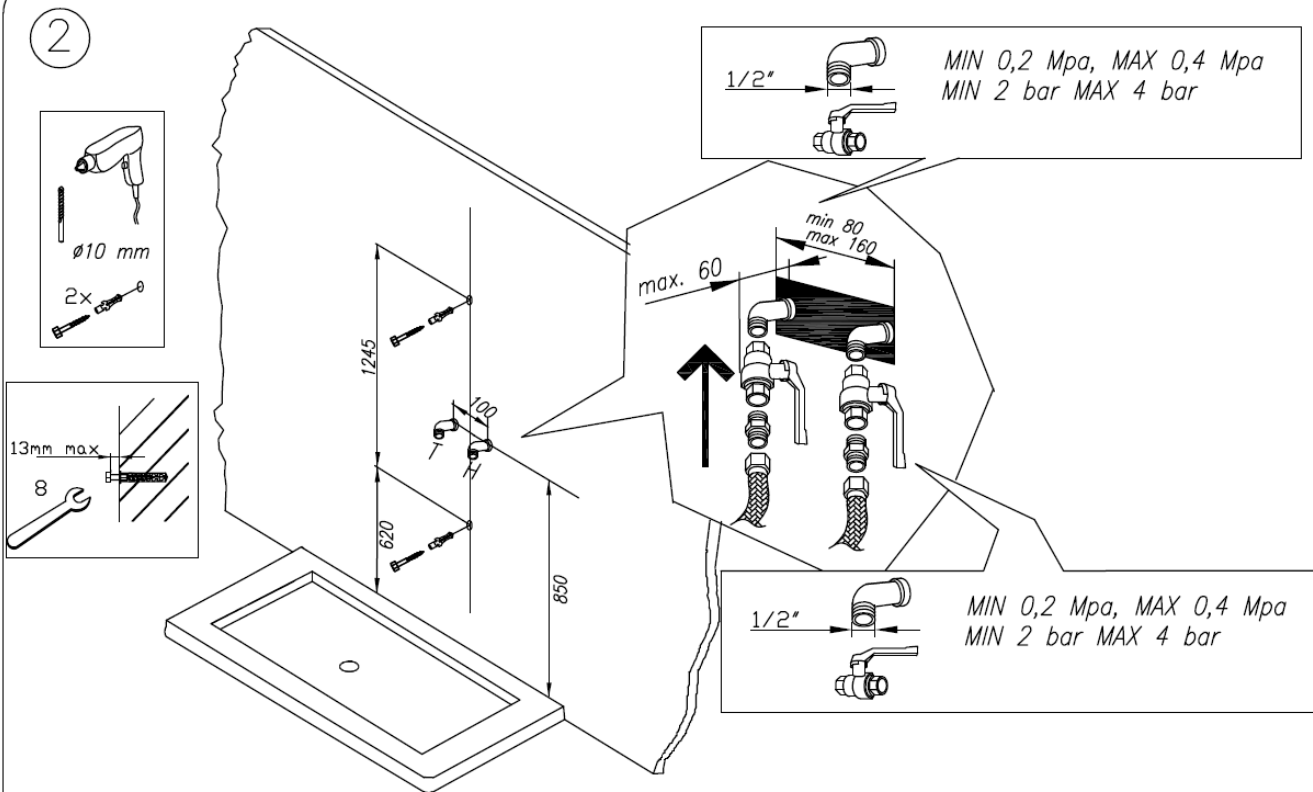
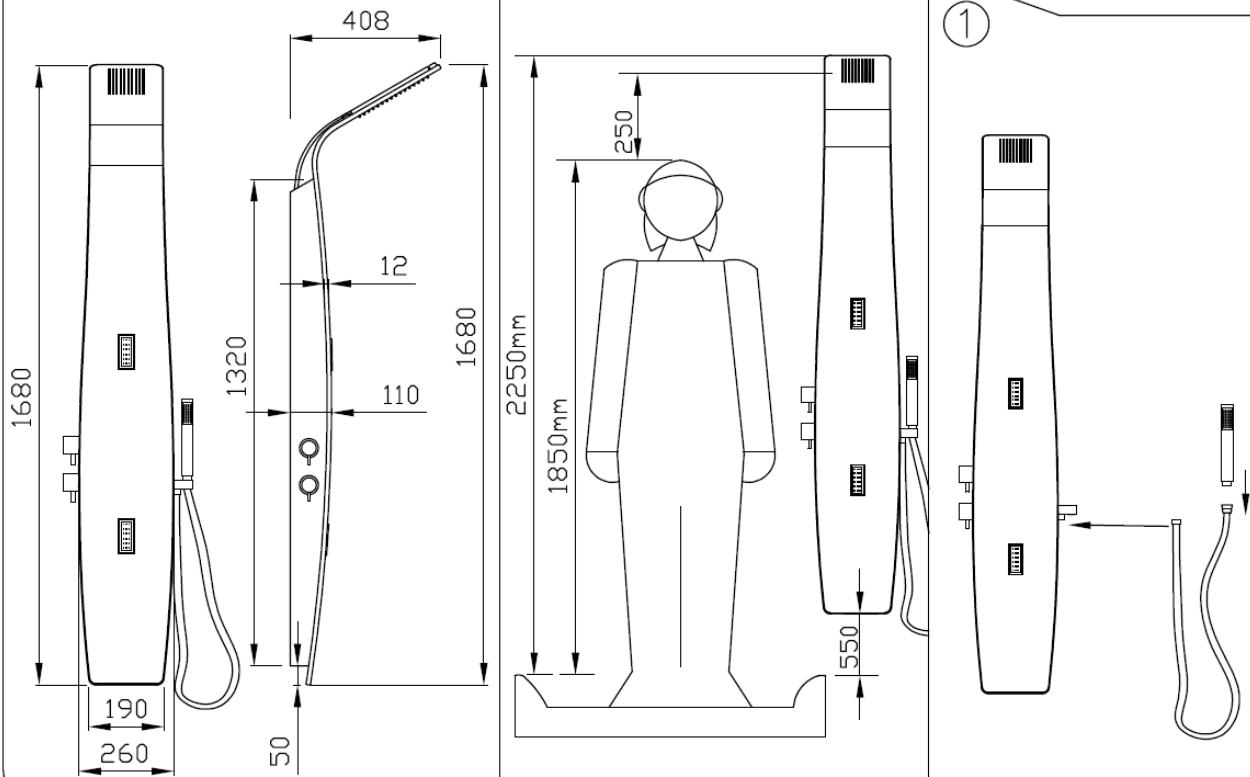
SOLANO 1400 2F



kolpa·san[®]
by KOLPA

ZEPHYR 1680 3F

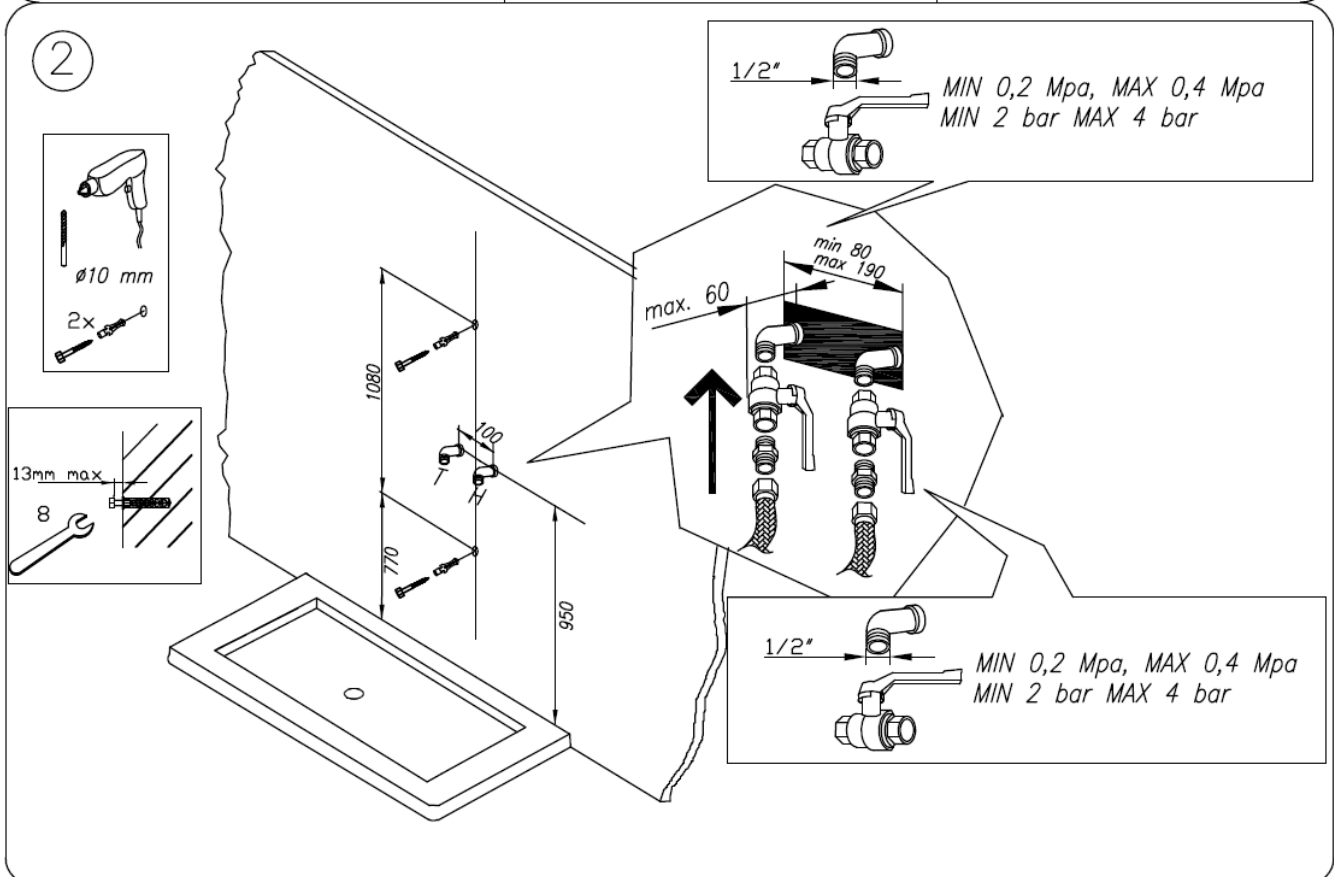
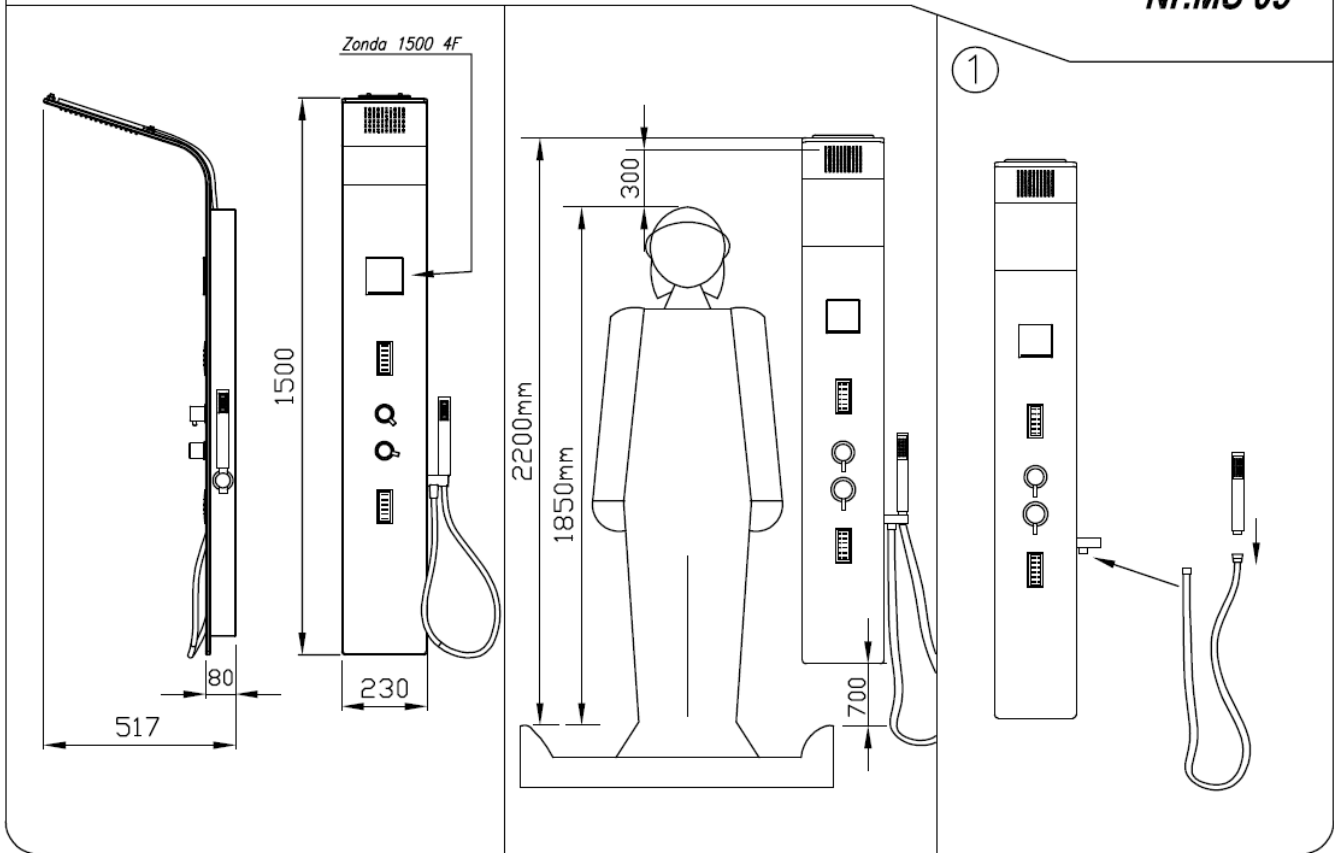
Nr.MS 04



kolpa·san
by KOLPA

ZONDA 1500 3F
ZONDA 1500 4F

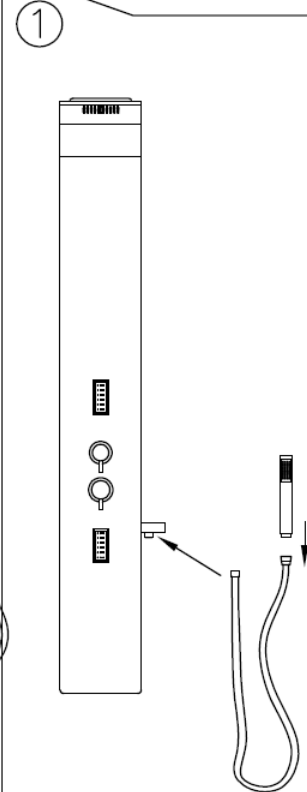
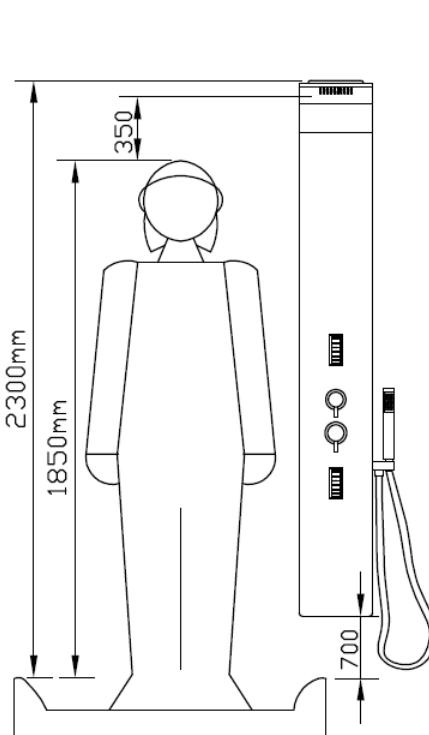
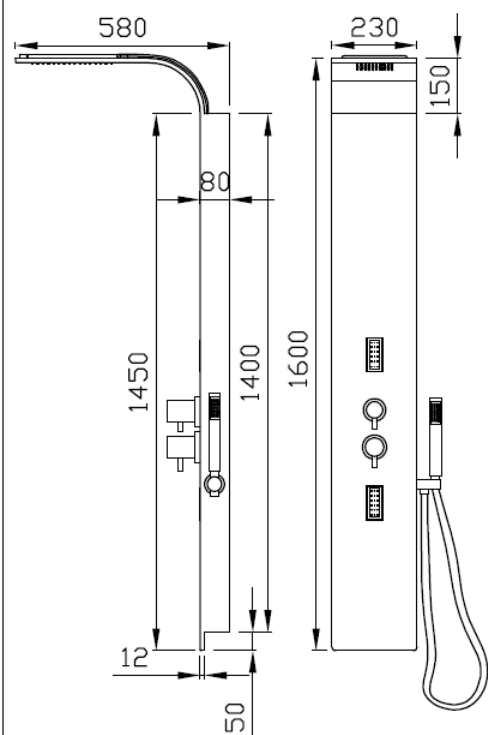
Nr.MS 05



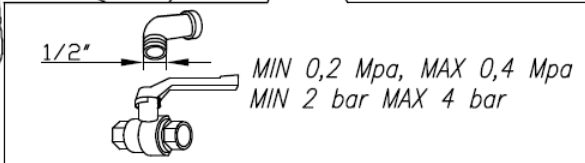
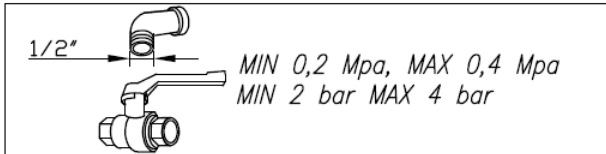
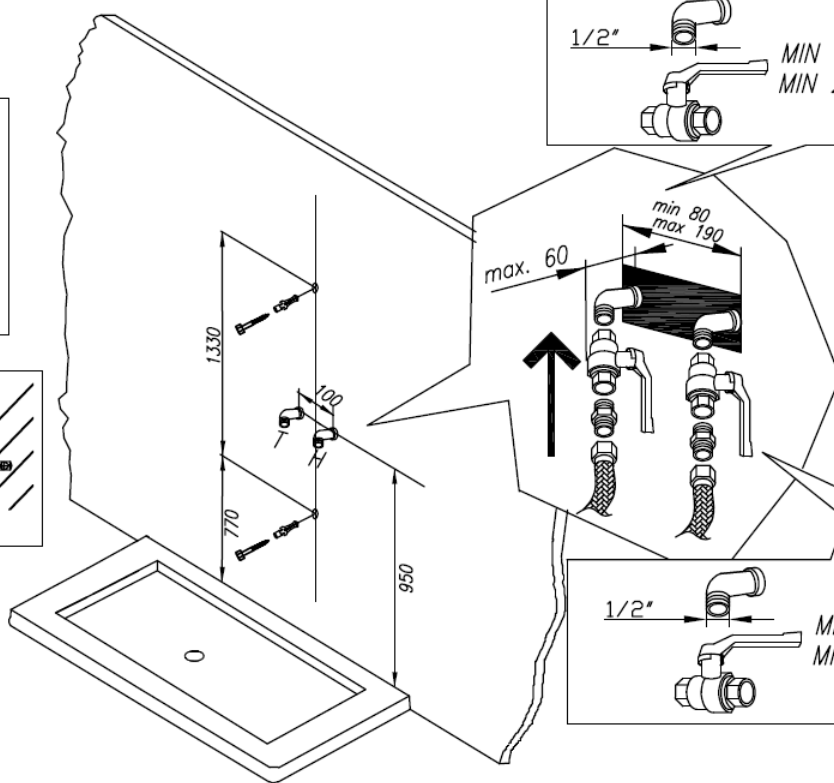
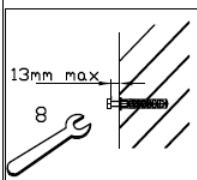
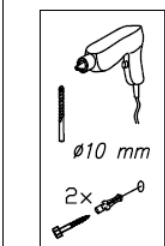
kolpa·san
by KOLPA

ZONDA FLAT 1600 3F

Nr.MS 06



2



PRECAUTIONS FOR USE

- The device may be used by children above 8 years of age and persons with lesser psychological and mental capabilities or lack of knowledge and experience in the event that they are supervised or adequately informed about the safe use of the device and understand the dangers.
- Children should not play with the device.
- Children may not carry out cleaning or maintenance of the device unattended.
- Use the device only in accordance with the intended use as described in this manual. Do not use extra plug-ins if not recommended by the manufacturer.
- Never place or insert objects in the openings.
- Space (bathroom) in which your massage cabin is located, must be designed according to the regulations in force in each state. In zones 0, 1, 2 there should be no switches, sockets or connections placed at your fingertips. They should be located at least 0.6 m from the massage cabin and of a height of 2.25 m, as shown in Figure 2 - space.
- Excessive retention in hot water or steam can cause hyperthermia. This occurs when the internal body temperature significantly exceeds the normal body temperature of 37°C. Signs of hyperthermia are increased internal body temperature, dizziness, lethargy, drowsiness and fainting. The effects of hyperthermia are inability for heat-detecting, absence of feeling the need to leave the hot room, unawareness of the impending danger. It can cause damage to the foetus in pregnant women, physical exhaustion loss of consciousness, and general danger.
- Alcohol, drugs or medication before or during the use of massage cabins can significantly increase the risk of fatal hyperthermia or slipping.
- Do not perform unauthorised interventions that affect the safe and smooth operation of this product.
- Be careful when entering or leaving the hot tub / cabin.
- Avoid massage or steam bath immediately after hard day's work or after strenuous exercise. Risk of hyperthermia.
- No electrical installations, including those which produce steam or moisture are allowed to be used inside the cab.
- To remove particles from the pipes, the water supply needs to be drained by at least 25-50 litres of water before connecting the massage cabin.
- Use of instantaneous water heater may reduce the flow of hot water. Due to the difference in pressure of the hot and cold water the proper functioning of the mixing water valve is hampered. In this case claims for improper operation of the valve are not accepted.
- Low water flow or the use of multiple massage functions at the same time reduces the effect (power) of jets.
- The effect of the jet is directly dependent on the flow rate (pressure) of water.
- The massage cabin is allowed to be connected to the water supply with minimum pressure of 0.2 MPa (2 bar) but not more than 0,4 MPa (4 bar). Connection to a higher water pressure is not allowed without the installation of additional limiters set at 0.4 MPa (4 bar). Kolpa d.o.o. does not recognise any claims which might arise from a higher water pressure than allowed for this product.
- Parts containing electrical components (except for remote control), must be placed or fastened so that they cannot fall into the massage cabin. A person in

massage cab is not allowed to have access to any parts containing live parts, except those supplied with safety extra-low voltage (SELV) not exceeding 12 V.

- Children are allowed to use the appliance without supervision only if instructed on the safe use massage showers, and if they understand the potential dangers in the event of improper use.

CLEANING and MAINTENANCE OF A MASSAGE BATH CABIN

- Children may not carry out cleaning or maintenance of the device if unattended.
- After completing the massage cycle, massage cabin shall be rinsed with a jet of clean water and particles which might clog the openings in the massage nozzle removed. Use a clean cloth to wipe the chrome parts.
- Use only liquid cleansers and a soft cloth to clean.
- To clean the acrylic and other kerrock or metal surfaces as well as to remove lime scale KOLPA SAN SPECIAL CLEANER is recommended. Spray the special cleaner on the surface or apply it with a sponge and allow a few minutes to operate. Rinse with clean water. For valves with a distinct sheen wiping the surface is recommended.
- ATTENTION: The use of detergents in concentrations higher than indicated in the appropriate instructions is not allowed.
- ATTENTION: Cleaner operating for longer than 60 minutes may HARM THE SURFACES of coloured elements and high-gloss elements (chrome).
- Descaling can also be done by using household vinegar which is more effective when it warms up.
- It is forbidden to use abrasive cleaning agents containing coarse fillers.

GENERAL WARNINGS ON CONNECTION AND INSTALLATION

- The massage cabin is allowed to be connected to the water supply with minimum pressure of 0.2 MPa (2 bar) but not more than 0,4 MPa (4 bar). Connection to a higher water pressure is not allowed without the installation of additional limiters set at 0.4 MPa (4 bar). Kolpa d.o.o. does not recognise any claims which might arise from a higher water pressure than allowed for this product.
- Connecting the water inlet hose to the massage cabin or pillar shall be performed in a way avoiding that a pillar or wall would PRESS directly to the connecting pipe or any other pipe of the massage system. To install the main water inlet on the wall connector we recommend using of an ANGLED connector or a 90° ELBOW for an easier connection and relieved joints.
- Kolpa d.o.o. does not recognise any claims which might arise from an inappropriate installation.
- Positions of electrical outlets, hot and cold water drains and inlets, as shown in the attached drawings and installation instructions, are showing only one of

the possible layouts of these connections. Their position is allowed to change to any other location within the dimensions of the item, as long as this position does not interfere with the function / operation of the elements mounted on the pillar or a massage cabin. Hot and cold water supply pipes can, if necessary, be extended or replaced with pipes of suitable length. Kolpa d.o.o. does not recognise any claims which might arise from damage made by replacing or the quality of the replacing pipes.

- To remove particles from the pipes, the water supply needs to be drained by at least 25-50 litres of water before connecting the pillar or massage cabin.
- Inlet of each product connected to a water source is recommended to feature a stop valve. If this valve is already installed in the existing water installation scheme and is able to stop water just for your apartment or bathroom, then the installation of an additional valve is not required. **CAUTION!** Pay attention to the dimensions of the valve, as the massage pillars leave very little space for connection to the water network. Angled or straight ball valves of smaller dimensions are recommended.



- We recommend the installation of one-way water flow valves on both the hot and cold water where water pressure between the hot and cold water might vary occasionally. Most often this happens in the following cases:
 - When using flow water heater (without the hot water tank).
 - In buildings where hot water is supplied separately from the objects / devices intended for heating water for a large number of residential buildings at the same time. Examples: plants in major cities, thermal springs and the like.
 - In multi-dwelling buildings with a large number of consumers of water.

The purpose of the one-way valves is to prevent return of hot water through the cold water pipes and vice versa.

For small housing where the water is heated with electric heaters, the one-way valves are not required.

Where the water is heated through central heating, one-way valves are only required if property has a very large number of water customers (multi-apartment block or tower).



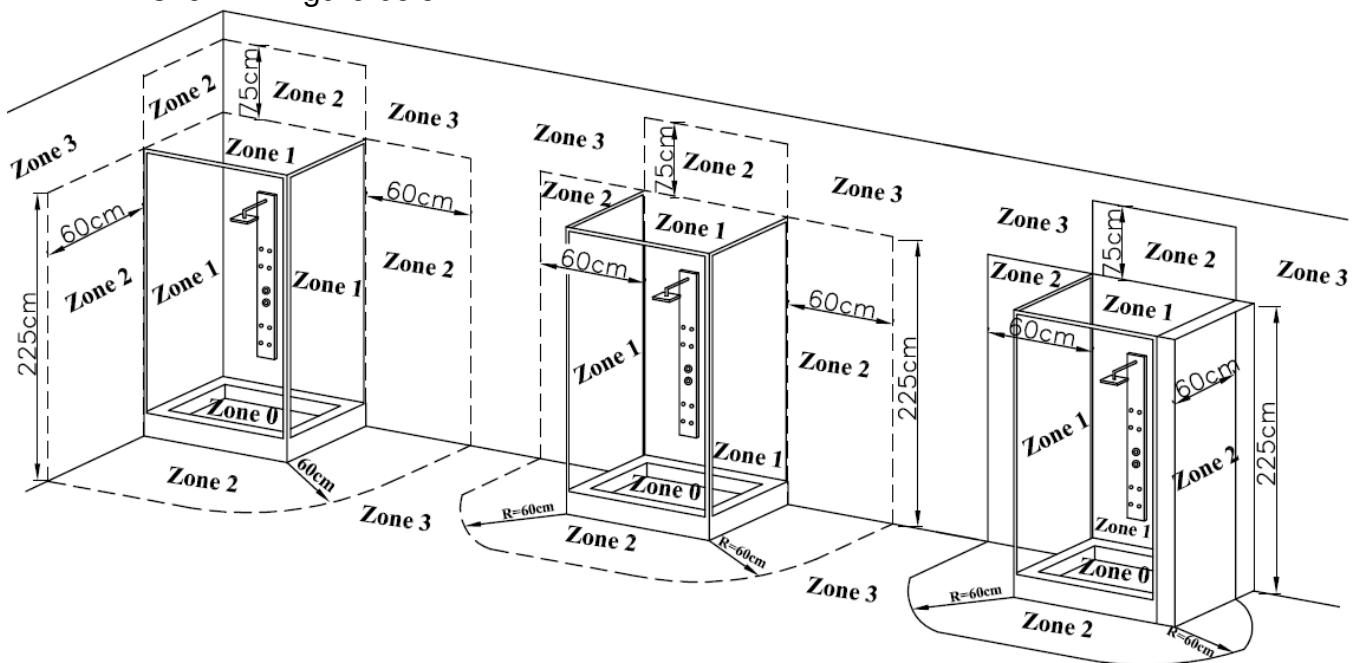
- In areas where the water contains a large quantity of particles (impurities) and scaling, we recommend to install a device to remove or neutralize contaminants. This increases the lifetime of massage pillars and greatly facilitates the cleaning of surfaces and components. To the extent feasible, we recommend such devices to be installed on the building's main water supply,

as this is the most economical and comprehensive solutions for the entire facility.



Kolpa d.o.o. does not recognise any claims arising from limescale or dirt in the pipes, if not a filter for impurities and device for reducing the amount of limescale installed.

- Kolpa d.o.o. recognises the complaint only for the defect in the product, rather than from improper installation.
- Attention: Kolpa is not liable for injuries caused by excessive water temperatures.
- Space in which your massage cabin is located (bathroom), must be designed according to the national regulations in force. In zones 0, 1, 2 there should be no switches, sockets or connections placed at your fingertips. They should be located at least 0.6 m from the massage cabin and of a height of 2.25 m, as shown in figure below:



USER MANUAL

SKY 1600 3F

The SKY massage wall features a multifunction mixer.

MASSAGE FUNCTIONS

Functions are set by turning left or right the upper part of the mixer.

Power of the jet is set by lifting the lower lever.

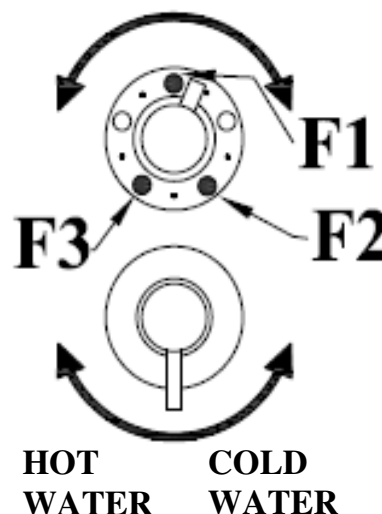
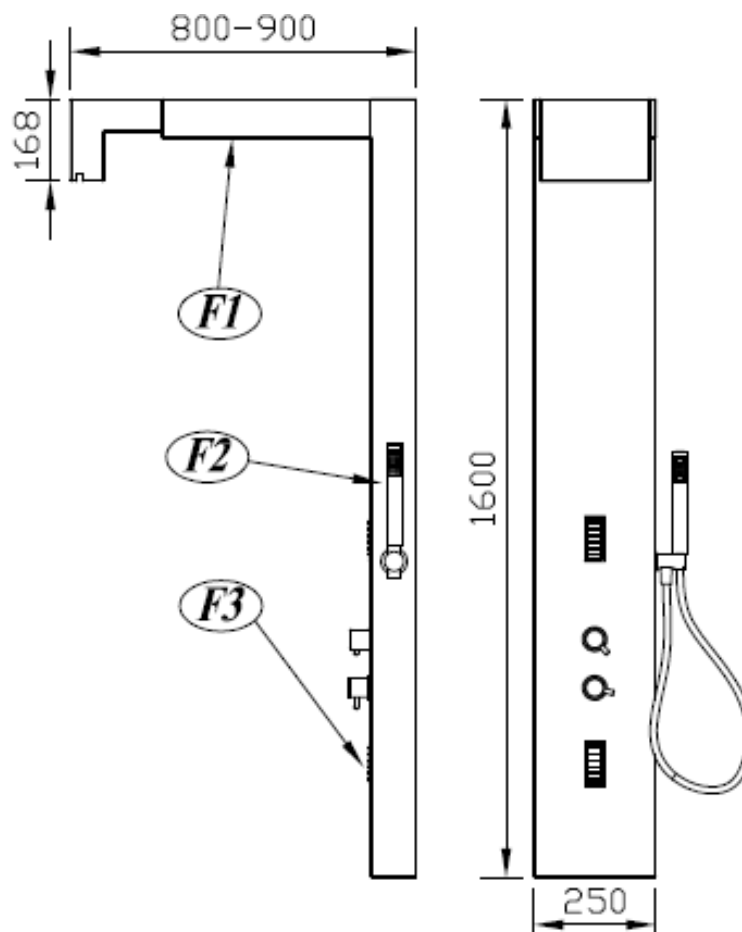
- F1 - Head Shower
- F2 - Hand-held shower
- F3 - Massage nozzles

By turning the lower lever left or right the water temperature is set.

Warnings:

Kolpa is not liable for injuries caused by excessive water temperatures.

Variations and fluctuations of pressure in the pipes between the hot and cold water interferes with the normal operation of the mixer. In this case, Kolpa d.o.o. does not recognise the claims of improper operation of the mixer.



USER MANUAL

SLIM 1600 2F

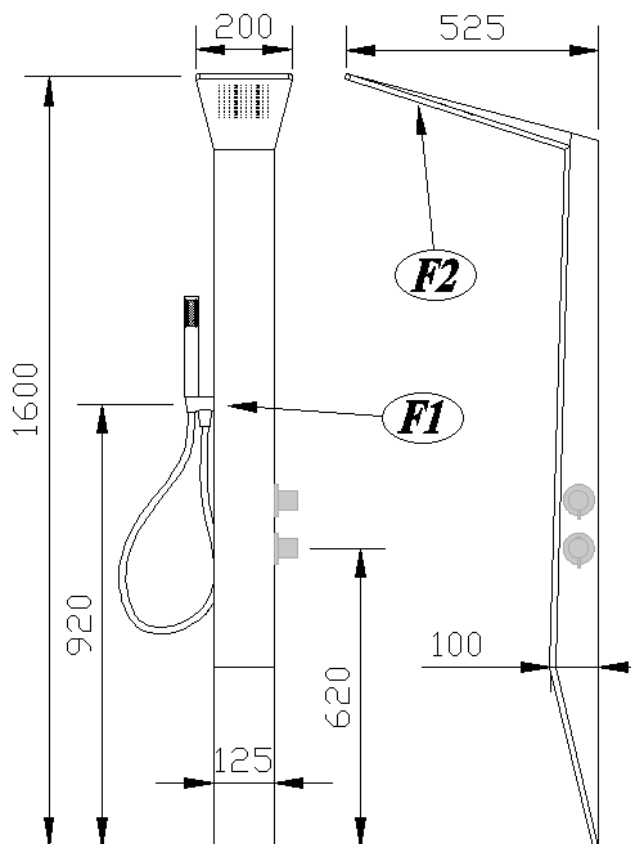
The SLIM massage wall features a multifunction mixer.

MASSAGE FUNCTIONS

Functions are set by turning left or right the upper part of the mixer.

Power of the jet is set by turning the upper part of the mixer **BETWEEN THE SELECTED FUNCTIONS.**

- F1 - Hand-held shower
- F2 - Head Shower



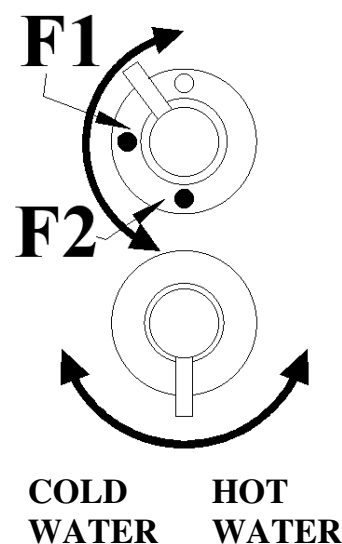
By turning the lower lever left or right the water temperature is set.

To select water temperature exceeding 38 °C, the lock must first be pressed and the lever turned further left.

Warnings:

Kolpa is not liable for injuries caused by excessive water temperatures.

Variations and fluctuations of pressure in the pipes between the hot and cold water interferes with the normal operation of the mixer. In this case, Kolpa d.o.o. does not recognise the claims of improper operation of the mixer.



USER MANUAL

SOLANO 1400 2F

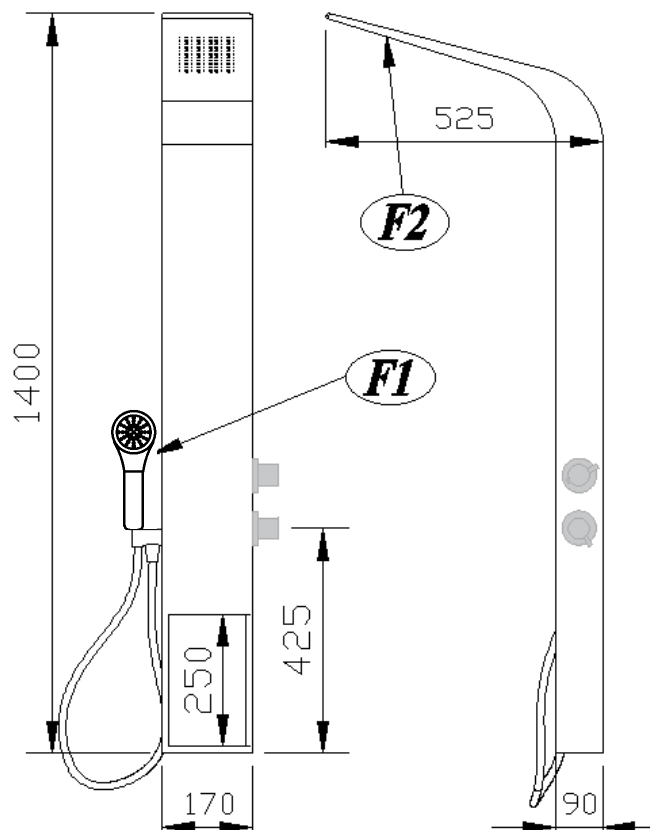
The SOLANO massage wall features a multifunction mixer.

MASSAGE FUNCTIONS

Functions are set by turning left or right the upper part of the mixer.

*Power of the jet is set by turning the upper part of the mixer **BETWEEN THE SELECTED FUNCTIONS.***

- F1 - Hand-held shower*
- F2 - Head Shower*



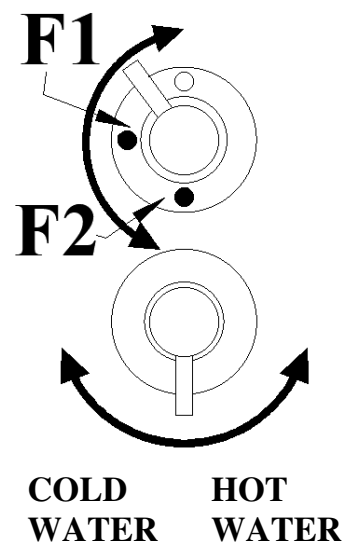
By turning the lower lever left or right the water temperature is set.

To select water temperature exceeding 38 °C, the lock must first be pressed and the lever turned further left.

Warnings:

Kolpa is not liable for injuries caused by excessive water temperatures.

Variations and fluctuations of pressure in the pipes between the hot and cold water interferes with the normal operation of the mixer. In this case, Kolpa d.o.o. does not recognise the claims of improper operation of the mixer.



USER MANUAL

ZEPHYR 1680 3F

The ZEPHYR massage wall features a multifunction mixer.

MASSAGE FUNCTIONS

Functions are set by turning left or right the upper part of the mixer.

Power of the jet is set by turning the upper part of the mixer **BETWEEN THE SELECTED FUNCTIONS**.

- F1 - Head Shower
- F2 - Hand-held shower
- F3 - Massage nozzles

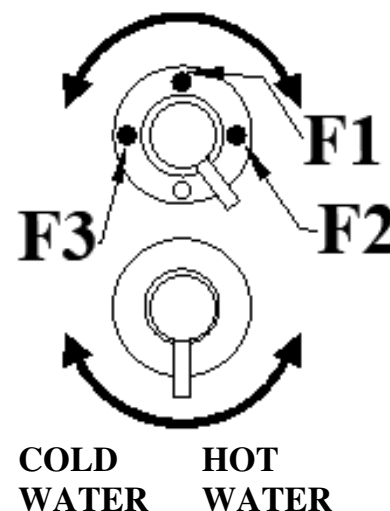
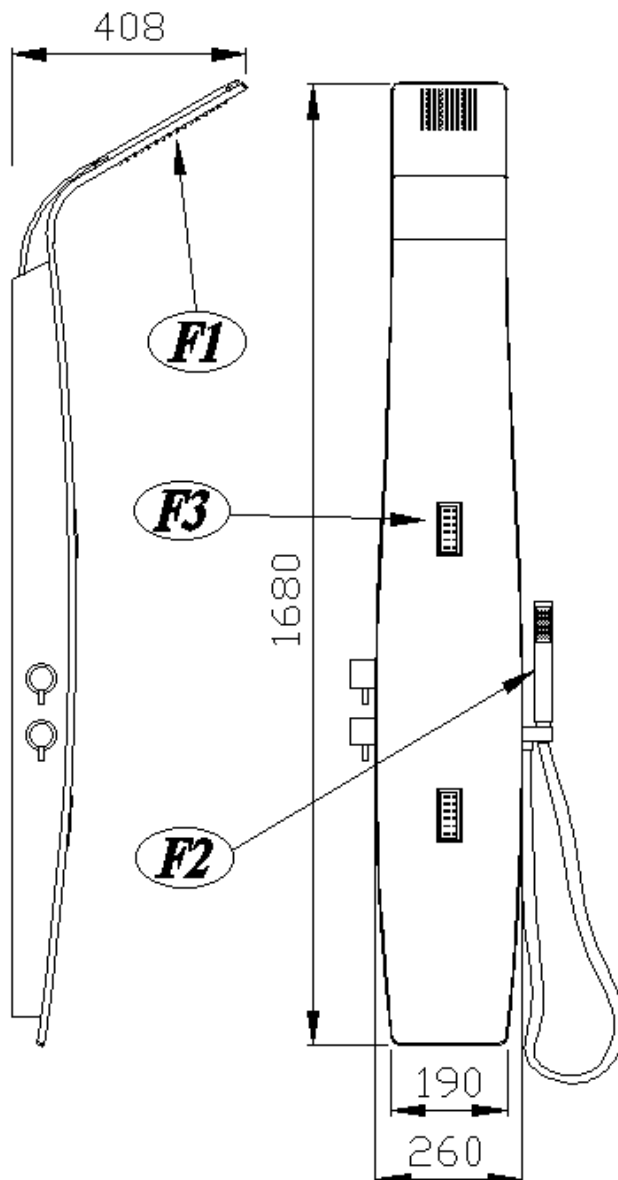
By turning the lower lever left or right the water temperature is set.

To select water temperature exceeding 38 °C, the lock must first be pressed and the lever turned further left.

Warnings:

Kolpa is not liable for injuries caused by excessive water temperatures.

Variations and fluctuations of pressure in the pipes between the hot and cold water interferes with the normal operation of the mixer. In this case, Kolpa d.o.o. does not recognise the claims of improper operation of the mixer.



USER MANUAL

ZONDA 1500 3F
ZONDA FLAT 1600 3F

The ZONDA massage wall features a multifunction mixer.

MASSAGE FUNCTIONS

Functions are set by turning left or right the upper part of the mixer.

Power of the jet is set by lifting the lower lever.

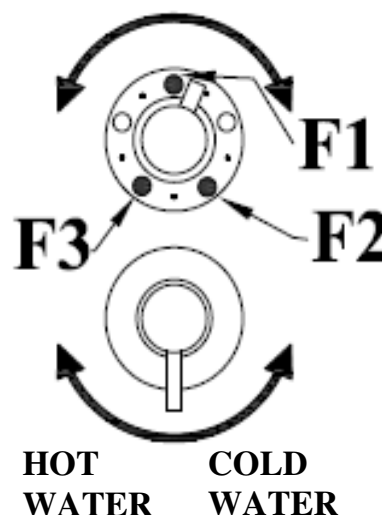
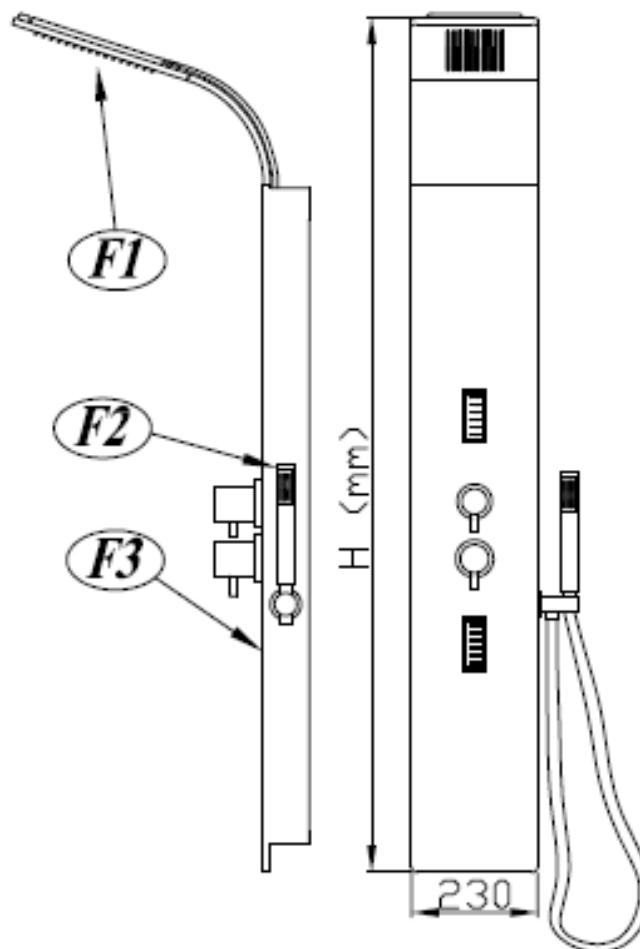
- F1 - Head Shower
- F2 - Hand-held shower
- F3 - Massage nozzles

By turning the lower lever left or right the water temperature is set.

Warnings:

Kolpa is not liable for injuries caused by excessive water temperatures.

Variations and fluctuations of pressure in the pipes between the hot and cold water interferes with the normal operation of the mixer. In this case, Kolpa d.o.o. does not recognise the claims of improper operation of the mixer.



USER MANUAL

ZONDA 1500 4F

The ZONDA massage wall features a multifunction mixer.

MASSAGE FUNCTIONS

Functions are set by turning left or right the upper part of the mixer.

Power of the jet is set by lifting the lower lever.

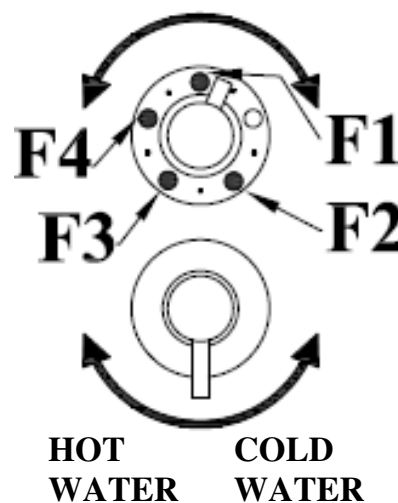
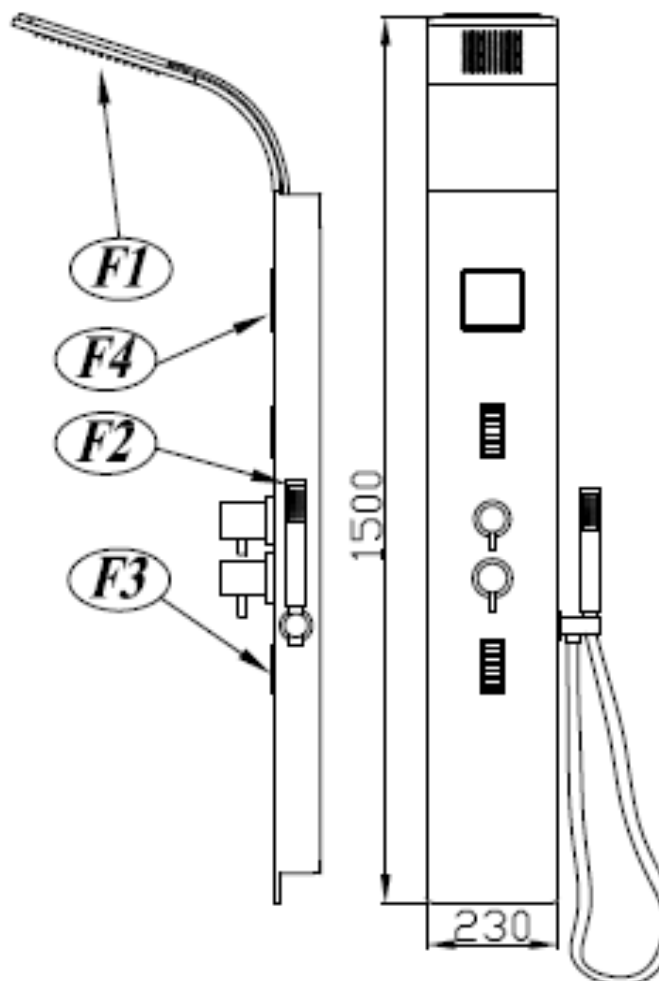
- F1 - Head Shower
- F2 - Hand-held shower
- F3 - Massage nozzles
- F4 - Waterfall

By turning the lower lever left or right the water temperature is set.

Warnings:

Kolpa is not liable for injuries caused by excessive water temperatures.

Variations and fluctuations of pressure in the pipes between the hot and cold water interferes with the normal operation of the mixer. In this case, Kolpa d.o.o. does not recognise the claims of improper operation of the mixer.



Pooblašteni servis za
področje Slovenije:

KOLPA, d.o.o. Metlika

Rosalnice 5,
8330 Metlika, Slovenija
tel +386 7 36 92 234,
+386 7 36 92 235
fax +386 7 36 92 293

servis@kolpa.si

Ovlašteni servis za področje
Bosne i Hercegovine:

O.D. "KOLPMONT",

Vogošća, Igmanska b.b.,
71000 Sarajevo, BiH
mob +387 61 278 077
servis.Kolpasan.bih@gmail.com

Magyarország
meghatalmazott szerviz:

KOLPA SAN KFT,

Csillagvirág utca 5/B
1106 Budapest, Hungary
tel +36 1 354 0950
mob +36 70 850 50 97
fax +36 1 354 0951
info@kolpa.hu

Уполномоченный сервисный
центр для России:

ООО "СЛО-САН"

МЦ "ROOMER" ст. м. Автозаводская
115280, г. Москва,
ул. Ленинская Слобода, д. 26, стр. 17
тел./Факс: +8 800 500 56 83
+7 495 215 56 83

servis@kolpa.su

Die zugelassene Werkstatt für
Deutschland und Österreich:

KOLPA, d.o.o. Metlika

Rosalnice 5,
8330 Metlika, Slovenia
tel +386 7 36 92 234,
+386 7 36 92 235
fax +386 7 36 92 293
servis@kolpa.si

Ovlašteni serviseri
za područje Hrvatske:

KOLPA Hrvatska d.o.o.

Radatovići 1,
47280 Ozalj, Hrvatska
tel +385 99 5279090
servis@kolpa.hr

Služba za reklamacije u
garantnom roku za
područje Srbije:

KOLPA ZRENJANIN d.o.o.,

Cvetna 1,
23000 Zrenjanin
tel/fax +381 23 535 842
servis@kolpa.rs

Centrul de asistență autorizată
pentru România:

KOLPA, d.o.o. Metlika

Rosalnice 5,
8330 Metlika, Slovenia
tel +386 7 36 92 234,
+386 7 36 92 235
fax +386 7 36 92 293
servis@kolpa.si

Уповноважений сервісний
центр для України:

WaterPlanet

Hlybochytska St, 13,
Kyiv, Ukraine, 04050
tel +38 (044) 494 4067
+38 (098) 494 4067
info@waterplanet.com.ua

Il centro d'assistenza
autorizzato in Italia:

KOLPA, d.o.o. Metlika

Rosalnice 5,
8330 Metlika, Slovenia
tel +386 7 36 92 234,
+386 7 36 92 235
fax +386 7 36 92 293
servis@kolpa.si

Ovlašteni serviseri
za područje Hrvatske:

KREKIĆ AVANGARD d.o.o.,

Molatska 8,
23000 Zadar, Hrvatska
tel +385 23 221 014,
fax +385 23 221 015
info@krekić-avangard.hr

Ovlašteni servis
za područje Crne Gore:

KOLPA ZETA d.o.o.,

Industrijska zona b.b.,
85330 Kotor, Crna Gora
tel/fax +382 32 520 555
kolpazeta@t-com.me

Овластен сервис
за Македонија:

SANMARTI

Маршал Тито б.б., П.Фах 221,
1200 Тетово, Македонија
тел +389 44 379 024
Факс +389 44 379 025
tetovo@sanmarti.com.mk

Authorised service centre for the
United Kingdom and Ireland:

KOLPA, d.o.o. Metlika

Rosalnice 5,
8330 Metlika, Slovenia
tel +386 7 36 92 234,
+386 7 36 92 235
fax +386 7 36 92 293
servis@kolpa.si

Le centre de service autorisé
sur le territoire de la France:

KOLPA, d.o.o. Metlika

Rosalnice 5,
8330 Metlika, Slovenia
tel +386 7 36 92 234,
+386 7 36 92 235
fax +386 7 36 92 293
servis@kolpa.si

12/2021



KOLPA, d.o.o. Metlika
Rosalnice 5
SI-8330 Metlika
SLOVENIJA

tel.: +386 07/36-92-100
fax.: + 386 07/36-92-166

e-mail: info@kolpa.si
www.kolpa.si